





## Contents

Safety Instructions.....	3
I. Introduction .....	6
II. Important Precautions.....	6
III. Specifications.....	7
IV. Instructions.....	8
4.1 LED Indicator.....	8
4.2 Charge the robot.....	9
4.2.2 Charger indicator.....	9
4.3 Clean the filter cartridge.....	9
V. WYBOT APP Connection.....	11
VI. Installation of floating blocks (optional).....	12
VII. Packing list.....	13
WARRANTY.....	14



## Safety Instructions

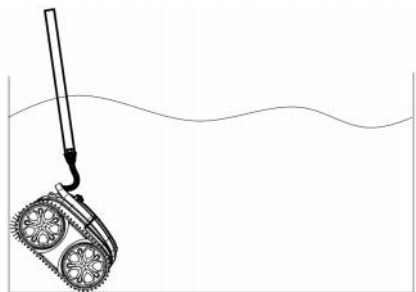
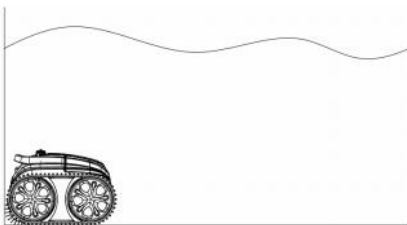
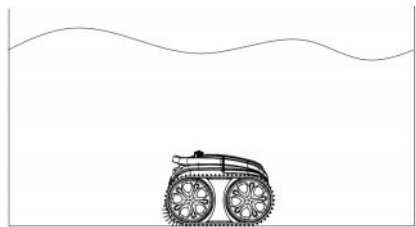
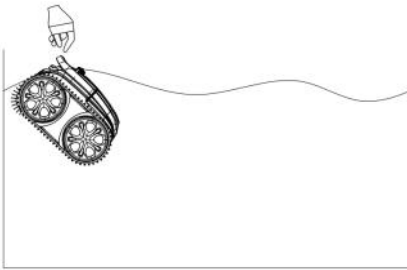
- 1.It is strictly forbidden to use this machine beyond its use conditions. Please read this user manual carefully before use. Please use the product according to the instructions in the user manual. Our company is not responsible for any loss and injury caused by improper use.
- 2.Only accessories recommended or sold by the manufacturer can be used for the machine.
- 3.The product shall not be used by children under 8 years old or people with mental disabilities. If necessary, the product shall be used under the supervision and guidance of guardian. Please don't let children ride on the product or play with the product as a toy.
- 4.To prevent accidents, the machine must be taken out from the swimming pool before charging, and the charger and the machine must be placed indoors or in a splash-resistant facility for charging. Before charging, ensure that the charging port is dry.
- 5.Please use the original charger to charge the machine.
- 6.Please confirm that the charging port is dry after the machine is taken out from swimming pool, then connect it with the charger, and confirm that the machine has been turned off (the indicator lights of the machine go off completely), otherwise it cannot be charged normally.
- 7.The charger must be plugged into a socket with leakage protection. Please ensure that the ground wire on the socket is grounded in a standard and reliable way.
- 8.It is strictly forbidden to use other chargers to charge the machine. Please do not charge this charger to other equipment, avoid damage to the charger or the machine.
- 9.No one is allowed to enter the swimming pool when the cleaner is working, so as to avoid danger and injury.
- 10.When the cleaner is placed on the shore, please do not turn it on, otherwise it will affect the normal use of the cleaner.

11. Clean the filter basket in time after each use, so as not to affect the work of the cleaner due to excessive dirt in the filter basket.
12. When the cleaner is not in use, please store the cleaner in a cool and ventilated place indoors to avoid direct sunlight.
13. It is forbidden for non-professional personnel to disassemble the sealing box of the main machine and the sealing box assembly of the sensor, so as to avoid danger or avoid damage to the cleaner.
14. Charge the machine before the battery is completely exhausted. When the yellow light of the machine is on, please charge the machine in time.
15. Do not charge the machine when the battery is full. Overcharging will reduce the life of the battery.
16. Engine oil seal contains grease. If grease leaks, it may cause slight pollution to water body.
17. The machine should be charged under 5°C-35°C environment. When the battery is overheated, it shall be cooled before charging.
18. When the machine is stored for a long time, it shall be charged every three months. Please use the original charger to charge the machine, so as to ensure that the power of the machine is kept at 40%-60%. If the machine is not charged for a long time, the battery voltage will be lower than the overdischarge protection voltage due to the self-discharge of the battery, and when the time is too long, fatal damage will be caused to the battery, so please pay attention to this.
19. It is forbidden to pierce the shell of the machine with nails or other sharp objects, and it is forbidden to hammer, hit or throw the machine.
20. Do not charge the machine under fire or extremely hot conditions! Do not use or store the machine near heat sources.
21. During the operation of the machine underwater, slight "lifting" of the machine may occasionally occur, it is a normal operation procedure of the machine, not a failure.

## Caution

1. When putting the cleaner into the swimming pool, the bottom of the cleaner shall face the pool wall, hold the handle and press the cleaner into the water. At the same time, turn on the switch, and the cleaner will slowly discharge the gas, and after 30s, it starts to work (The gas in the cleaner must be completely discharged, otherwise gas will affect the normal work of the machine). Make the machine naturally sinks to the bottom of the pool.

2. When the cleaner completes the cleaning, it will automatically lean against the pool wall. Take out the machine with hook.



## I. Introduction

WY200 robotic pool cleaner is a new and efficient robotic pool cleaning equipment. It can automatically clean the swimming pool without discharge of the pool water. At the same time, through the filtration system, it collects the suspended solids and sediments in the water.

The main machine body is powered by 25.2V/6.4AH lithium ion battery pack, so it has high safety.

**Before using this product, please read the user manual carefully so that you can use this machine correctly.**

## II. Important Precautions

- 1.Requirements for machine position during charging: See Article 4 of "Safety Instructions" on page 1.
- 2.Please do not use other chargers to charge this machine, please do not use this charger to charge other equipment!
- 3.Make sure that the switch is placed in the OFF position before charging the machine.
- 4.Do not turn on the machine for cleaning when charging!
- 5.The cleaning machine shall carry out cleaning under 10°C-35°C environment!
- 6.Charge the machine before the battery is completely exhausted. When the yellow light of the machine is on, please charge the machine in time.
- 7.Do not charge the machine when the battery is full. Overcharging will reduce the life of the battery.
- 8.The machine should be charged under 5°C-35°C environment. When the battery is overheated, it shall be cooled before charging.
- 9.If the battery will not be used for a long time (more than 3 months), it shall be charged.
- 10.Make sure the charging port is dry before charging.

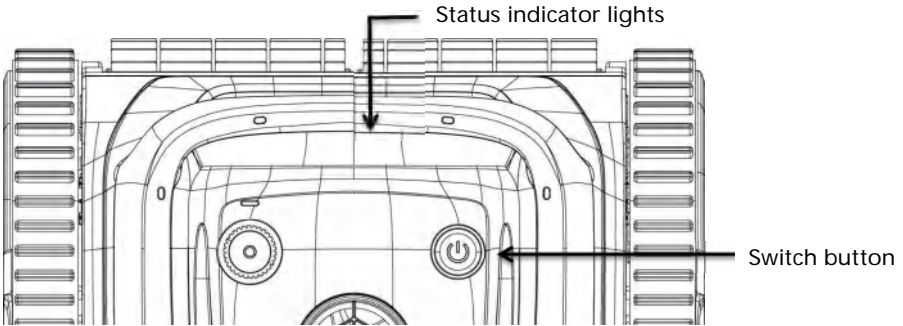
### III. Specifications

Charger Input	100-240V
Charger Input Frequency	47-63Hz.
Nominal voltage/nominal capacity	25.2 V/6.4AH
Power of the whole machine	80W
charger output	3A
Rated output voltage of charger	29.4V
Working Cycle Modes:	A. Pool bottom and wall combination: 160-180min; B. Pool bottom: 180-200min
Filtration volume	max 13m <sup>3</sup> /h
Filtration capacity	180μm
Moving speed	11m/min
Waterproof rating	IPX8
Pool water temperature	50°F-90°F 10°C-35°C
Weight	8.3kg
Product Size(mm)	385 (L) * 355 (W) * 250 (H)
Storage temperature	41 °F -95 °F (5°C -35°C )
Charging time	about 2.5H



## IV. Instructions

### 4.1 LED Indicator

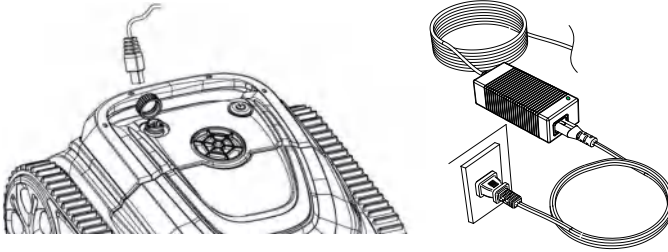


No.	Symbol	Description	Description of functions
1		ON/OFF	Press the ON/OFF : the blue light goes on, it indicates startup, press the button again, the red light goes on, it indicates shutdown, and after shutdown, the red light goes off.
2		Status Indicator	<ol style="list-style-type: none"> <li>1. Blue light is always on: startup</li> <li>2. Blue light flashes: normal operation</li> <li>3. Yellow light flashes: the machine has low power, it leans against the wall</li> <li>4. Yellow light is always on: the machine has low power, it leans against the wall and stops running</li> <li>5. Red light flashes and always lights up: the machine has failure</li> </ol>
<p><b>Troubleshooting:</b></p> <p>1: When the red light of the machine flashes and is always on, shut down and restart the machine. If it cannot return to normal running, please contact the after-sales service personnel.</p>			

## 4.2 Charge the robot

### 4.2.1 Charging Operation

Make sure that the machine is turned off (the indicator lights are completely off). When charging, please take the machine out of the swimming pool, and place the machine indoors or in a splash-resistant facility for charging. Unscrew the waterproof cap on the machine (ensure that the charging port is dry) and connect the charging port with the charging connector. When the battery charger light is red, indicating that it is charging, when it turns green, it means that charging is completed.



### 4.2.2 Charger indicator

LED Indicator	Charging state
1 Green light is always on	Waiting for charging, or the battery is not plugged or the charging is complete
2 Red light is always on	Normal charging

## 4.3 Clean the filter cartridge

4.3.1 Take out the filter basket: Place the cleaner on the shore, open the cover plate by hand according to the position indicated in the figure (Figure 4-1), and the filter basket is shown in the figure (Figure 4-2).



Figure 4-1

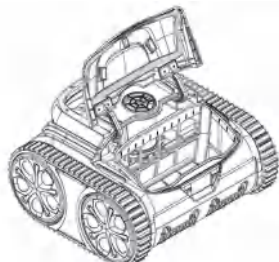


Figure 4-2

4.3.2 Take out the filter basket from the machine (Figure 4-3).

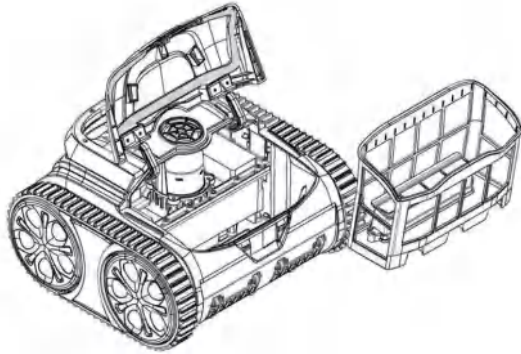


Figure 4-3

4.3.3 Cleaning of the filter basket

Rinse the dirt of the filter screen with clear water (Figure 4-4).

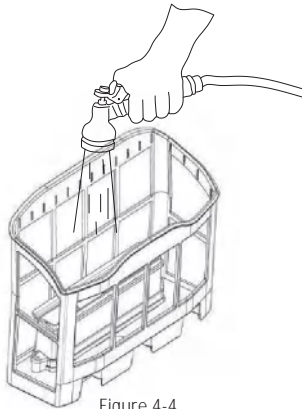


Figure 4-4

4.3.4 Installation of the filter basket

Reinstall the filter basket to the machine. The filter basket is aligned with the water inlet and put into the cleaning machine. Put the cover plate on, make the filter basket fit with the cover plate perfectly.

## V. WYBOT APP Connection.

**(The machine shall be outside the water when connecting the APP):**

1. Download the App:

Method 1: Scan the QR code below (Figure 5-1). After scanning, you can click on the corresponding store (Apple Store, Android Store) to download the APP (Figure 5-2).



Figure 5-1



Figure 5-2

Method 2: Search and download the APP in the App Store

- 1) In case of Android phones, search google play for WYBOT, and download it
- 2) In case of iPhone, searches the app store for WYBOT, download it
2. Turn on the machine, the machine light is blue and always on
3. Connect the APP with the machine after the machine starting.
4. After the connection is successful, the APP will give a "Success" prompt. At the same time, the machine indicator light turns purple and always on.
5. After entering the APP interface, the parameters of the current machine will be displayed, and users can set the parameters according to their own demands in cleaning
6. Select the parameters you want

7. After restarting, the machine will execute the corresponding cleaning program according to the preset parameters

**Note:**

1. When using App, it needs to obtain Bluetooth use permission and location permission of the mobile phone
2. App is suitable for ios14 and above, and Android 8.0 and above.
3. To obtain weather information in APP, you need to turn on Location service.

## VI. Installation of floating blocks (optional)

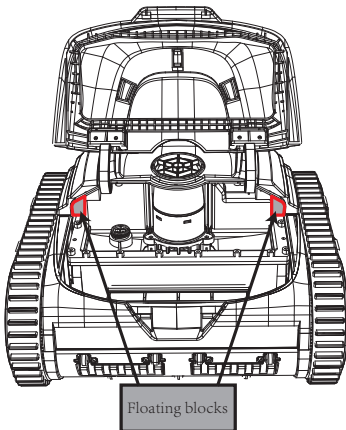


Figure 6-1

When it is difficult for the machine to climb the wall, it cannot clean the waterline, and it tilts seriously when climbing the wall, solve the problems according to the figure. If the machine climbs the wall normally, the following operations are not required. After removing the adhesive, two top floating blocks are attached to the machine. Carry out installation according to (Figure 6-1).

**Attention:**

1. Before installation, ensure that there is no water in the bonding position.
2. There is adhesive on the back of the top floating block. When installing the top floating block to the big cover, the edges of top floating block must be glued properly. After 24 hours, the machine can be put into the pool for work.

## VII. Packing list

S/N	Name	Specifications	Quantity (pieces)	Purpose	Remarks
1	Robotic Pool Cleaner	WY200	1		
2	Hook		1		
3	User manual		1		
4	Charger		1		
5	Floating block		2		

## WARRANTY

WYBOT, owned by WYBOTICS CO., LTD, makes products at the best quality we can offer. All WYBOT products have been inspected against defects in materials and workmanship prior to leaving factory. WYBOT is happy to offer warranty for the repair or replacement of pool products for two (2) years on motor and PCB, and one (1) year on battery pack from the date of purchase. The provisions of this Limited Warranty only apply to the original purchaser. Please keep your original sales receipt, as this proof of purchase will be required and must accompany warranty claims to WYBOT or its designated agents. This Limited Warranty does not apply without proof of purchase; or should the purchaser modify or repair the product themselves or by unauthorized people; use non-WYBOT parts or accessories with the product; use the product in contravention of the manufacturer's instructions; use improper voltage; abuse the product in any way; or through accident or negligence. This Limited Warranty will not cover consequential damages, including claims for normal wear-and-tea or any Act of God outside the control of WYBOT. Non-manufacturing defects, such as grasses that may grow through the ground cloth and/or pool liner are examples of which WYBOT cannot hold responsible for.

IN NO EVENT SHALL WYBOT, ITS AUTHORIZED AGENTS, RELATED ENTITIES, OR EMPLOYEES BE LIABLE TO THE BUYER OR ANY OTHER PARTY FOR DIRECT OR CONSEQUENTIAL DAMAGES. Some states or countries, or other jurisdictions, do not allow the exclusion or limitation of incidental or consequential damages, so the above limitation or exclusion may not apply to you.

This Limited Warranty is not extended to close-outs, factory seconds, or resold products (i.e., garage sales, online auctions, or online retailers not purchased directly from WYBOT). Any issue with items purchased from these types of vendors/sellers will need to be addressed through these stores.









WYBOT