

Description / Model*	Reference	Price ex. vat €uros
Electrical spare parts		
36a Powerfirst 6 and 8 mono complete electric plate	WCE03706	291
36b Powerfirst 11 mono complete electric plate	WCE03830	295.90
36c Powerfirst 13 and 15 mono complete electric plate	WCE03828	295.90
40 Regulation plate	WCE03712	126
48 White NTC "water temperature" sensor (plastic tip)	WCE03699	10.50
49 Grey NTC "defrosting temperature" sensor (plastic tip)	WCE03701	10.50
47 Black NTC "anti-freeze temperature" sensor (plastic tip)	WCE03700	10.50
46 Red NTC water flow indicator (plastic tip)	WCE03713	10.50
51 Noryl flow controller	WSK02022	114.50
66 Ventilator motor	WTC03783	262.50
37a 50 µF Powerfirst 6, 8 and 11 single condenser compressor	WSG01941	41.20
37b 60 µF Powerfirst 13 and 15 single condenser compressor	WCE03703	18.90
38 5 µF condenser ventilator	WCE03714	10.30
39 Gradual starter for Powerfirst 11, 13 and 15	WCO03845	211.10
Refrigerating spare parts		
1a Monophase Powerfirst 6 compressor	WTC03827	748.80
1b Monophase Powerfirst 8 compressor	WTC03828	831.20
1c Monophase Powerfirst 11 compressor	WTC03870	896.10
1d Monophase Powerfirst 13 compressor	WTC03900	1 421.40
1e Monophase Powerfirst 15 compressor	WTC03904	1 660.40
6a Evaporator battery for Powerfirst 6 and 8 single	WTC03894	1 236
6b Evaporator battery for Powerfirst 11 single	WTC03899	1 826.20
6c Evaporator battery for Powerfirst 13 and 15 single	WTC03902	1 815.90
11a Condensor for Powerfirst 6 single	W20COND6KW	405.80
11b Condensor for Powerfirst 8 single	W20COND7.5KW	423.30
11c Condensor for Powerfirst 11 single	W20COND9.5KW	439.80
11d Condensor for Powerfirst 13 single	W20COND13KW	483.10
11e Condensor for Powerfirst 15 single	W20COND25KW	657.10
90a 053S Dehydrator for Powerfirst 6, 8, 11 and 13 single	WCY00995	26.80
90b 084S Dehydrator for Powerfirst 15 single	WCY00997	30.90
17a BBIZE 2 Expansion valve for Powerfirst 6, 8 and 11 single	WTC03906	166.90
17b BBIZE4 3/8 1/2 Expansion valve for Powerfirst 13 and 15 single	WTC03903	166.90
44 LP pressure switch* 0.5/2 bars	WTC03815	49.40
45 HP pressure switch* 4233 Bars	WTC03816	50.50
Other		
21 Base	WPV01002	33.60
23 9 Front face	WPV01003	44.10
9 Lexan	WCE03829	10.50
25 Fan grid	WPV01006	13.70
27 Cover	WPV01001	37.80
28 Casing corner	WPV01005	10.50
29 Rear panel	WPV01004	12.60
34 Access Technical access panel	WPV01007	17.90
60 Half-union connection joint (item) 32/47 thickness 5 mm	WNS03428	10.50
61 60 Set of 2 half union connections 11/2 50 + joints	W20RDU	19.95
67 Ventilator fan	WTC03784	65.10
E Condenser output with connection	WIB03510	10.50
F Condenser input connection	WIB03516	10.50



46 47 48 49



51



39

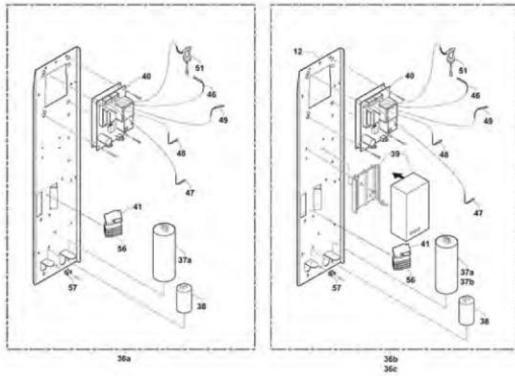
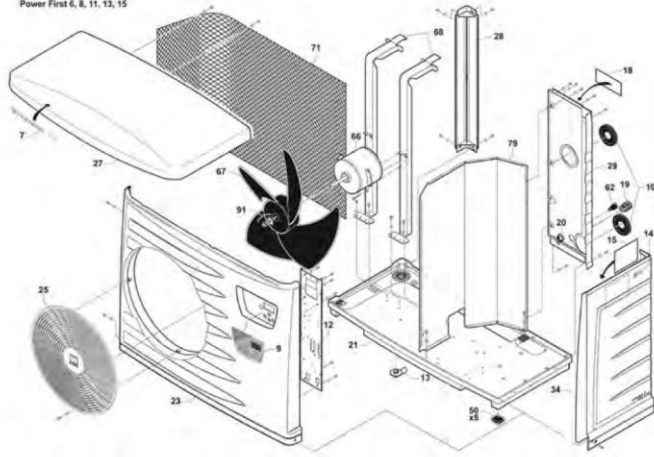


* All electric parts on single phased Heat Pumps are sold without condensers.

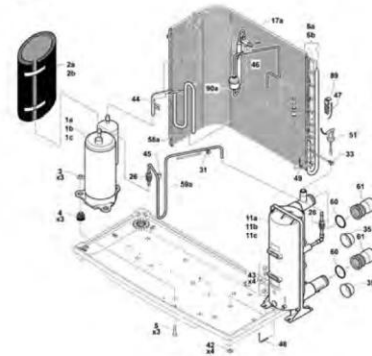
Description / Model*	Reference
Electrical spare parts	
25 PFPREM flow rate switch	WTC03943
26 Compressor ST5 discharge probe	WTC03995
27 ST4 liquid probe	WTC03996
28 ST1 regulation probe	WTC03997
29 ST2/ST3 antifrost and defrost probes	WTC03998
30 Set Electrical PREM 6	WTC03929
30 Set Electrical PREM 8	WTC03930
30 Set Electrical PREM 11M	WTC03931
30 Set Electrical PREM 11T	WTC03932
30 Set Electrical PREM 13M	WTC03992
31 Condenser 5 µF for PREM	WTC03936
33 Switch 25 A, 230 V, 50/60 Hz, PFPREM 11 M, 13M	WTC04001
33 Switch 18 A, PREM 6, 8, 11T, 11TD, 15TD	WTC03937
34 Varistore (S20K275)	WTC03988
35 Condenser 55 µF PREM 11	WTC04005
38 Phase controller (PREM TRI)	WTC03940
40 Coil SAG UKV A053 for PREM	WTC03941
46 Main card PFPREM A1	WTC03944
47 Display card PREM A2	WTC03939
66 Fan Motor	WTC03783
Refrigerating spare parts	
1 Compressor PFPREM 6	WTC03920
1 Compressor PFPREM 8	WTC03921
1 Compressor PFPREM 11MD and 11M	WTC03922
1 Compressor PFPREM 11TD and 11T	WTC03923
1 Compressor PFPREM 13	WTC03987
6 EVAPORATOR PFPREM 6, 8	WTC03985
6 EVAPORATOR PREM 11, 13 AND 15	WTC03986
17 Pressure reducer UKV for PREM 6 and 8	WTC03927
17 Pressure reducer UKV for PREM 11	WTC03928
17 Pressure reducer UKV 30D33 for PREM 13 and 15	WTC03994
44 Pressure switch, low pressure	WTC03815
45 Pressure switch, high pressure	WTC03816
Sheet metal	
10 PFPREM cover	WPV01001
11 PFPREM front panel	WPV01003
12 PFPREM grille	WPV01006
13 PFPREM technical door	WPV01007
14 PFPREM rear panel	WPV01004
15 PFPREM base	WPV01002
16 PFPREM upright	WPV01005
Other	
2 Compressor insulation PFPREM 6, 8	WTC03925
2 Compressor insulation PFPREM 11, 13	WTC03926
7 Condensate drainage tube	WTC02971
8 PREMIUM Lexan	WTC03942
67 4-vane propeller	WTC03784
68 Fan motor bracket	WTC03895
71 Protective grille 1045 x 765	WTC03896

POWER FIRST 6, 8, 11, 13, 15

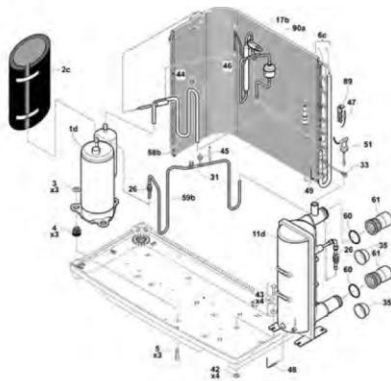
Power First 6, 8, 11, 13, 15



Power First 6, 8, 11



Power First 13



Power First 15

