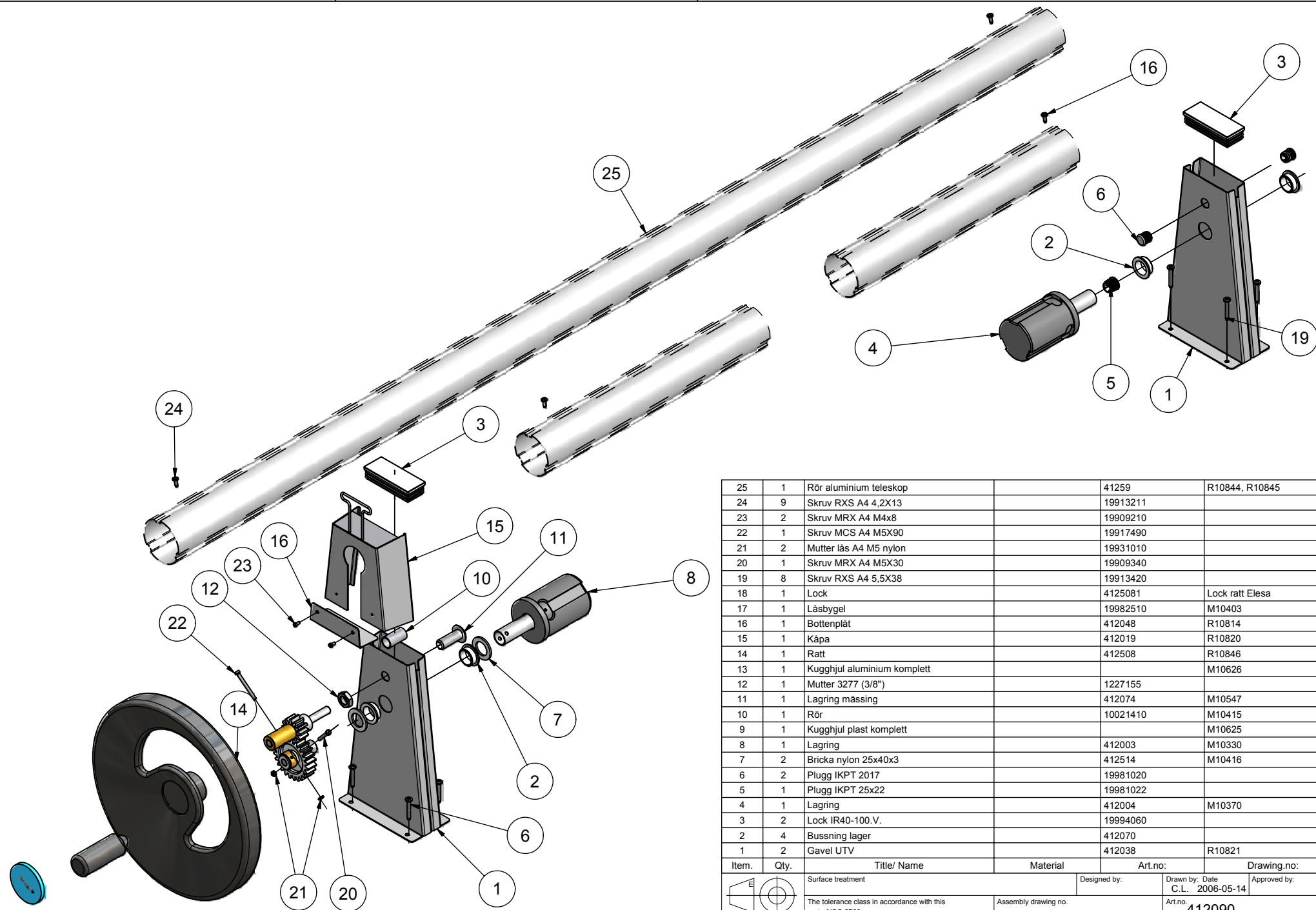


This document and its contents are the exclusive property of Pahlén and may not be copied, reproduced, transmitted or communicated to a third party, or used for any purpose without written permission.



25	1	Rör aluminium teleskop		41259	R10844, R10845
24	9	Skruv RXS A4 4,2X13		19913211	
23	2	Skruv MRX A4 M4x8		19909210	
22	1	Skruv MCS A4 M5X90		19917490	
21	2	Mutter lös A4 M5 nylon		19931010	
20	1	Skruv MRX A4 M5X30		19909340	
19	8	Skruv RXS A4 5,5X38		19913420	
18	1	Lock		4125081	Lock ratt Elesa
17	1	Låsbygel		19982510	M10403
16	1	Bottenplåt		412048	R10814
15	1	Kåpa		412019	R10820
14	1	Ratt		412508	R10846
13	1	Kuggghjul aluminium komplett			M10626
12	1	Mutter 3277 (3/8")		1227155	
11	1	Lagring mässing		412074	M10547
10	1	Rör		10021410	M10415
9	1	Kuggghjul plast komplett			M10625
8	1	Lagring		412003	M10330
7	2	Bricka nylon 25x40x3		412514	M10416
6	2	Plugg IKPT 2017		19981020	
5	1	Plugg IKPT 25x22		19981022	
4	1	Lagring		412004	M10370
3	2	Lock IR40-100.V.		19994060	
2	4	Bussning lager		412070	
1	2	Gavel UTV		412038	R10821

Item.	Qty.	Title/ Name	Material	Art.no:	Drawing.no:
		Surface treatment		Designed by:	Drawn by: Date
		The tolerance class in accordance with this part of ISO 2768	Assembly drawing no.		C.L. 2006-05-14
				Art.no:	Approved by:
				412090	
				Scale	Revised by: Date
					ASA 2007-04-13
				Drawing number	Rev.no.
					R10825-4

**Pahlén**  
 Box 728, SE-194 27 Upplands Väsby, Sweden  
 Phone +46 8 59411050, Fax +46 8 59068880

Upprullning 05 utvxl. exkl rör  
 exkl rör