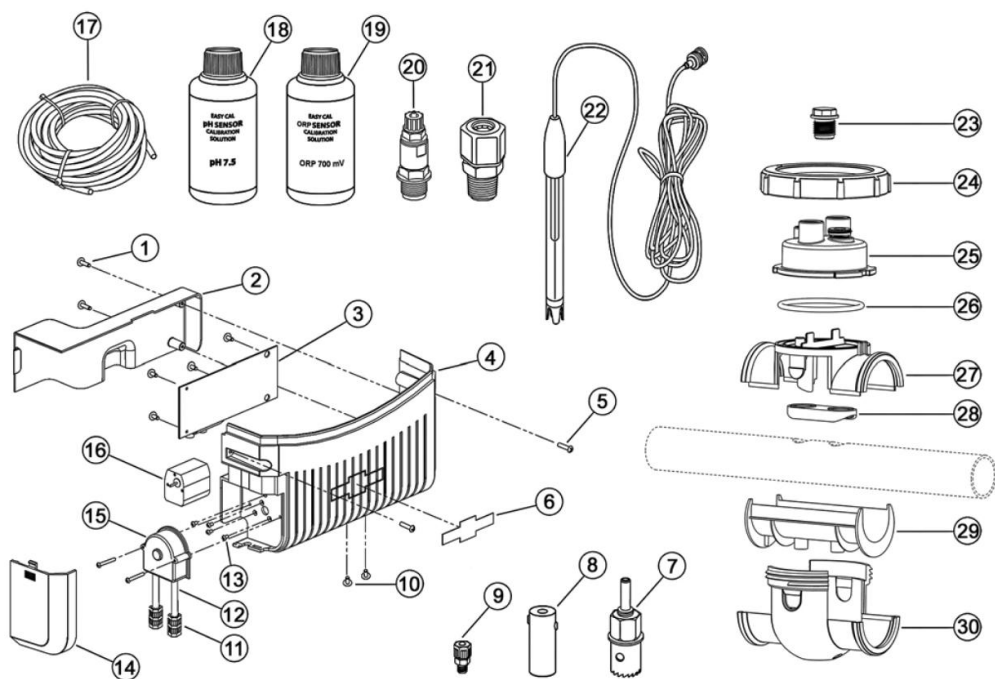


TRi pH + TRi PRO



Position	Description	Reference
1	4x1/4" fixing screws for electronic board	W001400
2	Module electronic board protection	W043260
3	TRi pH electronic module card	W083001
	TRi PRO electronic module card	W083011
4	TRi pH / TRi PRO module plastic cover (without sticker)	W043250
5	M4x20 mm fixing screws for module cover	W001421
6	"TRi pH" sticker for module plastic cover	W176751
	"TRi PRO" sticker for module plastic cover	W176761
7	Hole saw 22 mm for piping	W043750
8	Ceramic counter-weight	W045121
9	Ceramic counter-weight retaining nozzle for suction hose	W040451
10	M3x5 mm fixing screws for lower BNC plate	W001461
11	Peristaltic hose connector (per item: 2 per hose)	W043420
12	Peristaltic hose (no connectors)	W501211
13	M3x6 mm fixing screws for peristaltic pump motor	W001451
14	Peristaltic pump protection cover	W043270
15	Peristaltic pump head with hose (no connectors)	W501191
16	Peristaltic pump motor	W501201
17	pH minus injection polyethylene tube 6x4 mm (per metre)	W043450
18	Buffer solution "pH 7.5" (200 mL) - TRi pH & TRi PRO	W500730
19	Buffer solution "ORP 700 mV" (200 mL) - TRi PRO	W500740
20	Injection check valve - 1/2"	W043440
21	pH / ACL - 1/2" sensor holder	W043730
22	pH Z35H1P-17 sensor (5 m shielded BNC cable) - TRi pH & TRi PRO	W013003A
	ACL Z35R1P-17 sensor (5 m shielded BNC cable) - TRi PRO	W500770
23	Threaded plug 1/2" (+ oring)	W198060
24	Tightening ring	W043790
25	POD (+ threaded adapter for flow detector)	W198200
26	POD oring	W151281
27	Upper fixing collar	W043640
28	Flat hose joint 1 1/2" (UK)	W043700
	Flat hose joint DN50 mm & DN63 mm (EU)	W043710
29	Piping adapter 1 1/2" (UK)	W043680
	Piping adapter DN50 mm (EU)	W043690
30	Lower fixing collar	W043630