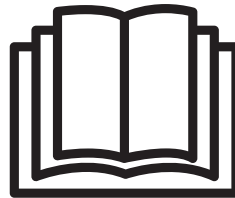
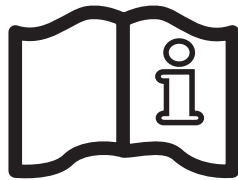


Powerline

by **HAYWARD**TM



PL SAND FILTERS

OWNER'S MANUAL

SAVE THIS OWNER'S MANUAL

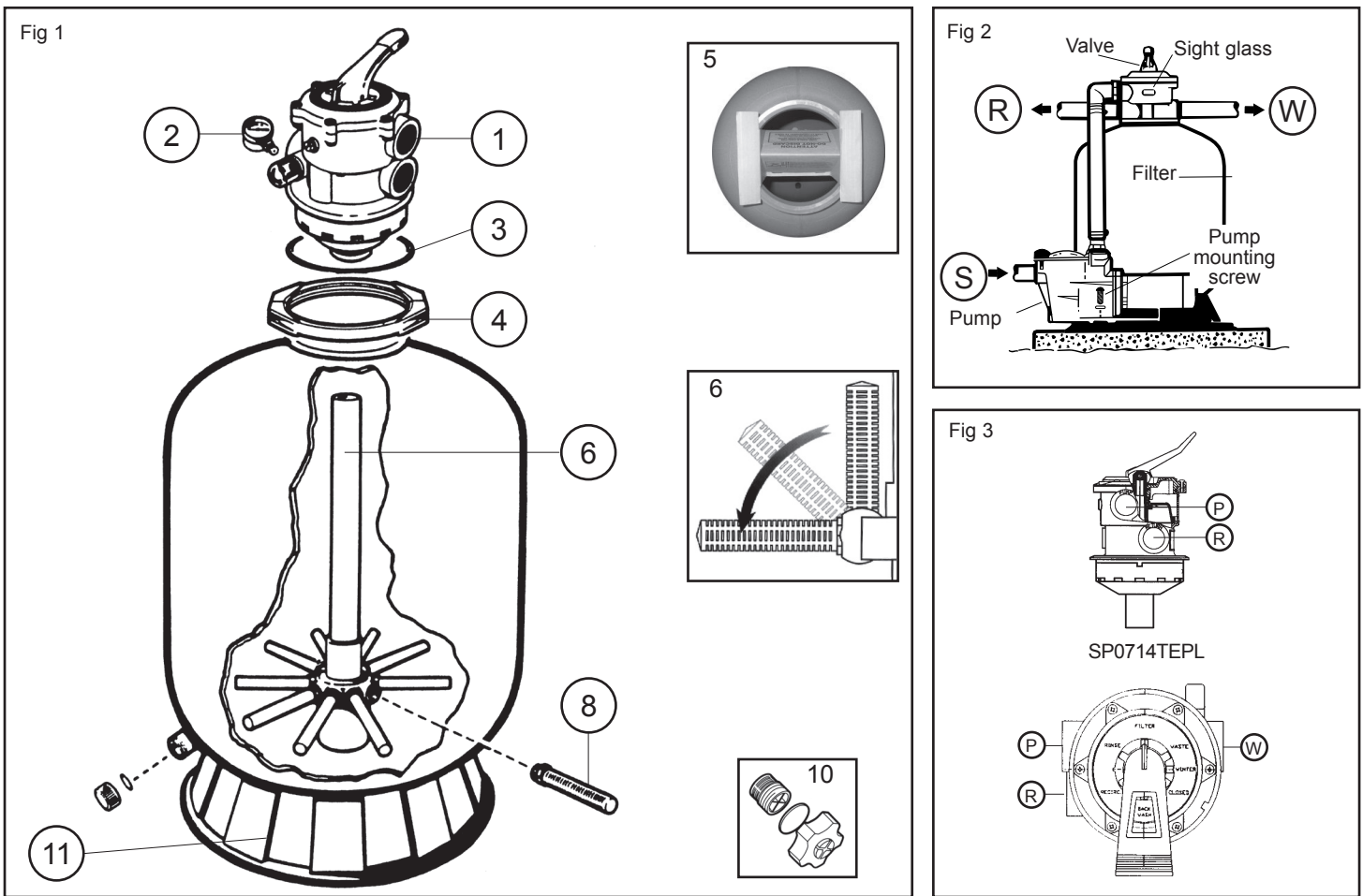


WARNING - Read and follow all instructions in this owner's manual and on the equipment. Failure to follow instructions can cause injury.

WARNING - This document should be given to the owner of the swimming pool and must be kept by the owner in a safe place.

WARNING - This appliance is not intended for use by persons (including children) with reduced physical, sensory or mental capabilities, or lack of experience and knowledge, unless they have been given supervision or instruction concerning use of the appliance by a person responsible for their safety.

WARNING - Children should be supervised to ensure that they do not play with the appliance.



1	SP0714TEPL	5	SX202S	6	SX210DA (21")	8	SX200QN (18")	11	SX164B (14" & 16")
2	ECX270861	6	SX144DA (14")	6	SX244DA (24")	8	SX200QN (21")	11	SX200J (18", 21" & 24")
3	GMX600F	6	SX164DA (16")	8	SX200SN (14")	8	SX240DN (24")		
4	GMX600NM	6	SX180DA (18")	8	SX200QN (16")	10	SX180LA		

USE ONLY HAYWARD GENUINE REPLACEMENT PARTS

You have just become the owner of a sand filter, sand filter base and multiport valve (see figure 1).

OPERATION

Your filtration system uses special sand designed to trap impurities in the pool water. The sand is poured into the tank and acts as a permanent filtration system. The pump draws in the unfiltered pool water, which contains impurities in suspension and feeds it to the multiport control valve. When the water flows through the sand, the impurities are trapped there and the water that returns to your pool is filtered.

INSTALLATION

1. Locating the filter
Find a clean, level spot. The top of the filter must be at least 1.5 m distant from the water level. Place the filter so that the piping, the valve (1), and the drain plug (10) are easy to reach. This will make servicing and winterizing easier.
2. Assembling the pump
Assemble the pump and its mount with the filter as indicated by the manufacturer's instructions.
3. Filling the filter
The sand is put in through the opening in the top of the filter.
 - a. Place the centre tube (6) on the bottom of the tank and cover the opening in the top of the tube with funnel (5) provided for the purpose, to prevent any sand getting in it during filling. Make sure that the drain plug (10) is in place. All laterals (8) must be in the down position.
 - b. Half-fill the filter with water, then pour in the required quantity of sand (Cf. table on label).
Check that the centre tube (6) remains straight. The surface of the sand should be leveled and reach the middle of the filter.
 - c. Remove the funnel (5).
4. Assembling the valve
Place the valve (1), with its gasket (3), on the top of the filter.
 - a. Make sure that the "PUMP" outlet of the valve is towards the pump. Then attach with the clamp (4).
 - b. Remove the black plastic screw on the side of the valve and replace it with the pressure gauge (2). Screw in by hand without forcing.
 - c. Connect the "PUMP" outlet (P) of the valve to the top outlet of the pump as indicated by the manufacturer's instructions
5. Connecting the valve
Then simply connect the pipes from the pool (cf. fig. 2) and from the skimmers (S) to the bottom port of the pump, on the strainer side, the discharge pipes to the valve port marked "RETURN" (R), and the drain connection to the valve port marked "WASTE" (W)
6. Make the electrical connections of the pump as indicated by the manufacturer's instructions.
7. To avoid leaks, make sure that the drain plug (10) is in place and that all connections are tight.

Note 1: Do not force when screwing the connection end fittings into the valve unions.

Note 2: Coat the male threads with Teflon.

STARTING UP

IMPORTANT: ALWAYS STOP THE PUMP BEFORE OPERATING THE MULTIPORT VALVE.

1. Check that all connections are tight and that the filter contains just the right amount of sand.
2. Set the valve to "BACKWASH". Always lower the handle before turning.
3. Start the pump as indicated by the manufacturer's instructions. Check that water flows normally in the circuit.
WARNING: All suction and discharge valves must be open when the pump is started. Otherwise, there is a risk of property damage, grave injury, or death.

USE ONLY HAYWARD GENUINE REPLACEMENT PARTS

Once the water flows smoothly, let the pump run for at least another 2 minutes. This backwash is recommended to eliminate any impurities or fine particles from the filtering sand.

4. Stop the pump and set the valve to “RINSE”. Restart the pump and let run until the water becomes clear in the sight glass (about a minute).
5. Stop the pump and set the valve to “FILTER”. Restart the pump and filtering starts. Adjust the inlet and outlet valves for the desired water flow.
6. Carefully note the pressure reading at that time and the position of the needle on the pressure gauge. As the filter operates, impurities are retained and the pressure increases in the tank.
When it exceeds the initial pressure (clean filter) by 10 PSI (0.7 bars or kg/cm²), the filter must be backwashed.

Note 1 : When your pool’s water is cleaned for the first time, it may be necessary to backwash the filter frequently: the quantity of impurities is likely to be large.

Note 2 : Clean the pre-filters of the pump and skimmers regularly to ensure trouble-free operation of your filtration system

Note 3 : Installations including heaters or cleaning systems with nozzles or tentacles protruding from the walls are highly sensitive to hydraulic rams because they operate at high pressure. The installer must do everything necessary to prevent hydraulic rams in the installation.

FUNCTIONS OF VALVE AND FILTER

FILTER

Set the valve to “Filter” for normal filtration (10 to 14 hours a day).

BACKWASH

For cleaning filter. When filter pressure gauge rises 10 PSI (0.7 bars or kg/cm²) above start-up (clean pressure)

Run the pump until the water in the sight glass is clear. Stop the pump about 2 minutes later and set the valve to “Rinse”, when this position exists.

RINSE

With the valve set to “Rinse”, run the pump for about one minute. This evacuates the dirty backwash water to a drain, not the pool. Stop the pump, set back to “Filter”, and restart.

WASTE

The water is discharged directly to the sewer without going through the filter: to lower the pool water level and directly eliminate very dirty water when using the vacuum.

RECIRCULATE

The water bypasses the filter, for rapid dispersion of chemicals or for massive chlorination.

CLOSED

Cuts off circulation between the filter and the pump.

NEVER USE THIS POSITION WITH THE PUMP RUNNING.

WINTERIZING

1. Completely drain tank by unscrewing drain cap at base of filter tank. Leave cap off during winter.
2. Rotate and leave the valve handle between any position or on “WINTER” position if existing.
3. Drain and winterize pump according to pump instructions.

SERVICE AND REPAIRS

Consult your local dealer. No return may be made directly to the factory without the express written authorization of Hayward Pool Europe.

USE ONLY HAYWARD GENUINE REPLACEMENT PARTS