



Brio Wil

Bluetooth / Wifi connection
controller for LED lighting

Réf : PF10R078

Tabla de contenidos

1. Pack contents	1
2. Technical specifications	2
3. Installation	3
3.1. Connection to electricity	3
4. BRiO WiL operation	4
4.1. Control interface	4
5. iOS / Android applications	5
5.1. "Connection" indicator	5
5.2. Connection to Brio Wil	5
6. Floodlight compatibility	6
A. Copyright	6
B. Declaration of conformity	6



Read these instructions carefully before installing, commissioning and using this product

1. Pack contents

- 1 Brio Wil box with 1.5m of 3x2.5mm² pre-fitted cable
- 1 pre-wired 4 point connection terminal block (see **Connection to electricity** section)
- 2 fixing screws and 2 anchors
- Technical manual (this document)

2. Technical specifications

Power supply voltage	12V ~ AC 50/60Hz
Power consumption	5W maximum
Switching power (floodlights connected)	120W maximum
Protection factor	IP-55
Dimensions:	72 x 139 x 36 mm
Installation	Box: Wall fixing (screws/anchors included)
Bluetooth®	Low Energy (v4.x) Conforms to the R&TTE Directive 1999/5/EC 2.4 GHz to 2.5 GHz
Wifi	802.11 b/g/and "dual band" (2.4 Ghz only)

3. Installation

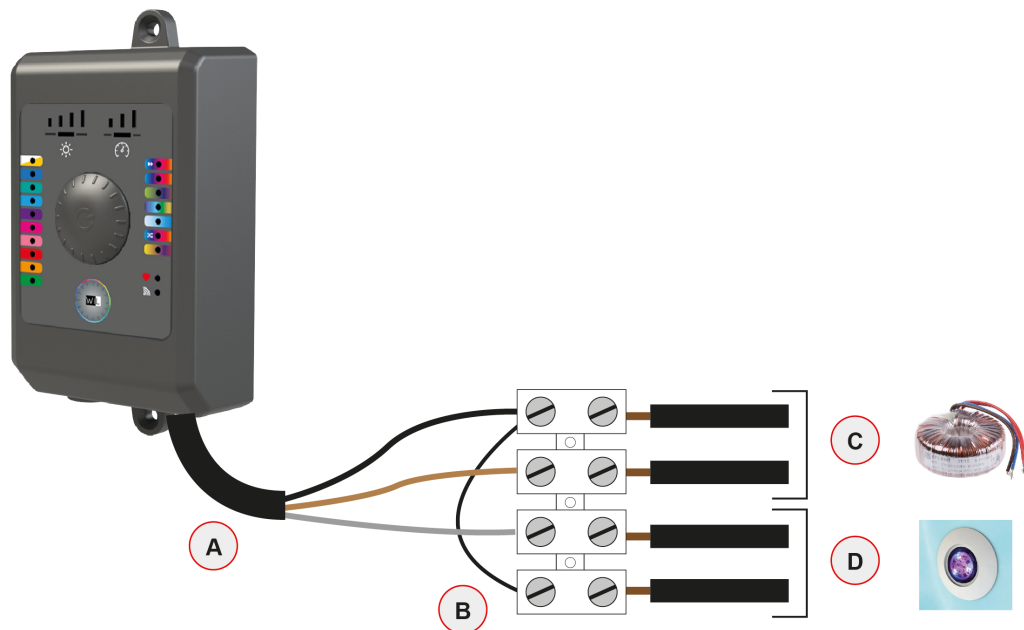
3.1. Connection to electricity



Installation of this project involves a hazard of electric shocks. We strongly recommend you contract a professional installer. Incorrect installation places you in danger and may irreversibly damage the product and the equipment connected to it.

The box is resistant to splashing but must not be placed in a location that may flood. The Brio Wil box must be placed on a flat and stable surface and attached to the wall using the supplied screws and anchors.

The Brio Wil must be connected to the lighting transformer **secondary** . Only Brio-compatible floodlights may be connected to this transformer.

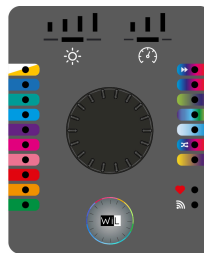






- A. Pre-fitted wire from the BRiO WiL (3 x 2.5mm²)
- B. Bridge to create on installation (2.5 mm²)
- C. 12V input from the toroid transformer
- D. Output for LED floodlights installed in the pool (**120W total max**)

4. BRiO WiL operation

4.1. Control interface

1. 10 static colour indicators (left indicators on the front panel)
2. 7 light sequence indicators (right indicators on the front panel)
3. 1 favourite colour indicator and 1 app connection indicator
4. 5 brightness selection indicators and 4 sequence speed indicators





Component	Description
Colour and sequence indicators	Turn the selection button and press once on the colour / sequence you want to use
Warm / cold white indicator 	You can choose between warm and cold white. On the first click, you use cold white. When you are on cold white, click again to switch to warm white
Favourite indicator 	To save a favourite colour: activate the first light sequence (1st indicator from the top) and turn the selection button to the heart indicator. Once the floodlight or floodlights take on the colour you want to save, press the button once. To bring up your favourite colour, press the "Favourite / heart" indicator at any time.
Brightness indicator 	Turn the selection button to the "brightness" indicator (the lit horizontal bar under the 4 brightness levels). Press the button once and then turn it to choose the required brightness level. Press again to validate.
Sequence speed indicators 	Turn the selection button to the "Speed" indicator (the lit horizontal bar under the 3 speed levels). Press the button once and then turn it to choose the required sequence speed. Press again to validate.

At all times, a long press on the central button will turn the floodlights and the BRiO WiL on or off

The selected program is saved in the event of a power cut.


Once a mode has been validated, the corresponding code is sent to the floodlights in the form of micro-power cuts.

5. iOs / Android applications

Android download	App Store download
	

You can also search for BRiO Wil or Wil using the App Store and Play Store search engines

5.1. "Connection" indicator


The indicator  lights in different colours depending on the controller status and may also flash. Below is a table listing all the statuses:

Flashes blue every two seconds	The device is configured for Bluetooth® and is waiting for a smartphone connection
Blue (not flashing)	there is a smartphone connected to the device using Bluetooth®
Flashes green every two seconds	The device is configured for Wifi and is connected to the router. It is waiting for a smartphone connection
Green (not flashing)	There is a smartphone connected to the controller using Wifi
2 green flashes per second	SSID configuration in progress - Password to connect to the router
Flashes green quickly	Connection fault: SSID entry error or router not accessible


5.2. Connection to Brio Wil



Only one device can be connected to a Brio Wil at a time.

You can only connect if the indicator  flashes blue.

When the application is opened it scans the Brio Wil within range and displays "Looking for Brio Wil".

- If only one Brio Wil is in range, it will connect automatically.
- If there are several available, a selection list will appear.
- If no devices are detected, the application will display the message "No Brio Wil detected". In this case, check that your device is compatible with Bluetooth Low Energy (4.x), get closer to the Brio Wil, or try with another device. Press the button in the centre of the screen to launch a search. The device also proposes to switch to a Wifi connection.
- If you cannot connect, also check the LED light . If it is static blue, someone is already connected to the controller. (see "Connection" section)

5.2.1. Wifi connection

Once on the app, press the button to connect your Brio Wil to your local home Wifi network. Enter your router password (often found on the back of your internet box)

6. Floodlight compatibility



All CCEI floodlights manufactured from September 2016 are compatible with the RC+ / Brio Wil control mode.

A. Copyright

The Bluetooth® trademark is associated with the protected marks belonging to Bluetooth SIG, Inc.

The Apple® trademark is a protected mark belonging to Apple Inc., filed in the United States and other countries.

B. Declaration of conformity

<p>Bleu Electrique SAS (FR47403521693) declares that product Brio Wil is compliant with the safety and electromagnetic compatibility requirements of European directives E.M.C (2014/30/UE), Low voltage (2014/35/UE), RoHS (2011/65/UE), WEEE (2002/96/CE) and REACH (1907/2006).</p>		
		<p>Emmanuel Baret Marseille, on 16/03/2020</p>
<p>Distributor's stamp</p>		
<p><i>Date of sale: Batch N°:</i></p>		